



# 深圳市盛仕达电子有限公司

SHENZHEN SHENGSHIDA DELECTRONICS CO., LTD.

## 承认规格书

**Customer(客户)** :  
**Description(产品描述)** : EC混流管道风机(EC Mixed Pipe Flow Fan )  
**Dimension(尺寸)** : 150\*125mm  
**Model No.(机型名称)** : SE-A150(3-PHASE)  
**Internal Code(内部代码)** :  
**Revision(版次)** : A00  
**Specification No. (规格编号)** :  
**Customer Approval No. (客户承认号码)** :  
**Issue Date(发行日期)** : 2017年9月12日

<b>Sales APPD.</b> (业务审核)	<b>Customer APPD.</b> (客户审核)	PLEASE SIGN AND RETURN THIS PAGE TO US FOR FILING AFTER AUTHENTICATION. (请签回此页做为承认存档)
<b>DAWN.(制表)</b>	<b>CHKD.(审核)</b>	
李武良	肖体冬	李鹏鹏

深圳市盛仕达电子有限公司

深圳市坪山新区坪山镇沙坐社区新村老围14号

电话Tel: 0755-81486104 传真 Fax: 0755-81486471

网址Website:<http://www.shengshida.net>

## SPECIFICATION(规格)

### 1.MECHANICAL CHARACTERISTICS 机械参数

MATERIAL OF HOUSING(扇框材质)	铁框, 蓝色, Cold-roll steel sheets, Blue
MATERIAL OF FAN BLADE(扇叶材质)	塑料, 黑色, 防火等级UL94V-0; Thermoplastic Black, Fire proofing grade UL94V-0
DIRECTION OF ROTATION(旋转方向)	Clockwise viewed from front of fan blade
WEIGHT(重量)	1.8Kg

### 2. ELECTRICAL CHARACTERISTICS (电气特性)

RATED VOLTAGE(额定电压)	220V AC
INPUT CURRENT(工作电流)	0.27A± 10%                      MAX:0.35 A+10%
INPUT POWER(工作功率)	35.7W                                      MAX:40W+10%
OPERATING VOLTAGE RANGE (操作电压范围)	190~260VAC
STARTING VOLTAGE(启动电压)	190VAC(At 25°C,100% Duty Cycle POWER ON/OFF)
OPERATING PERATURE/HUMIDITYRANGE (工作温湿度范围)	-10°C ~ +60°C / 15% ~ 93 %RH
STORAGE TEMPERATURE/HUMIDITY RANGE(存储环境温湿度范围)	-40°C ~ +70°C / 15% ~93 %RH

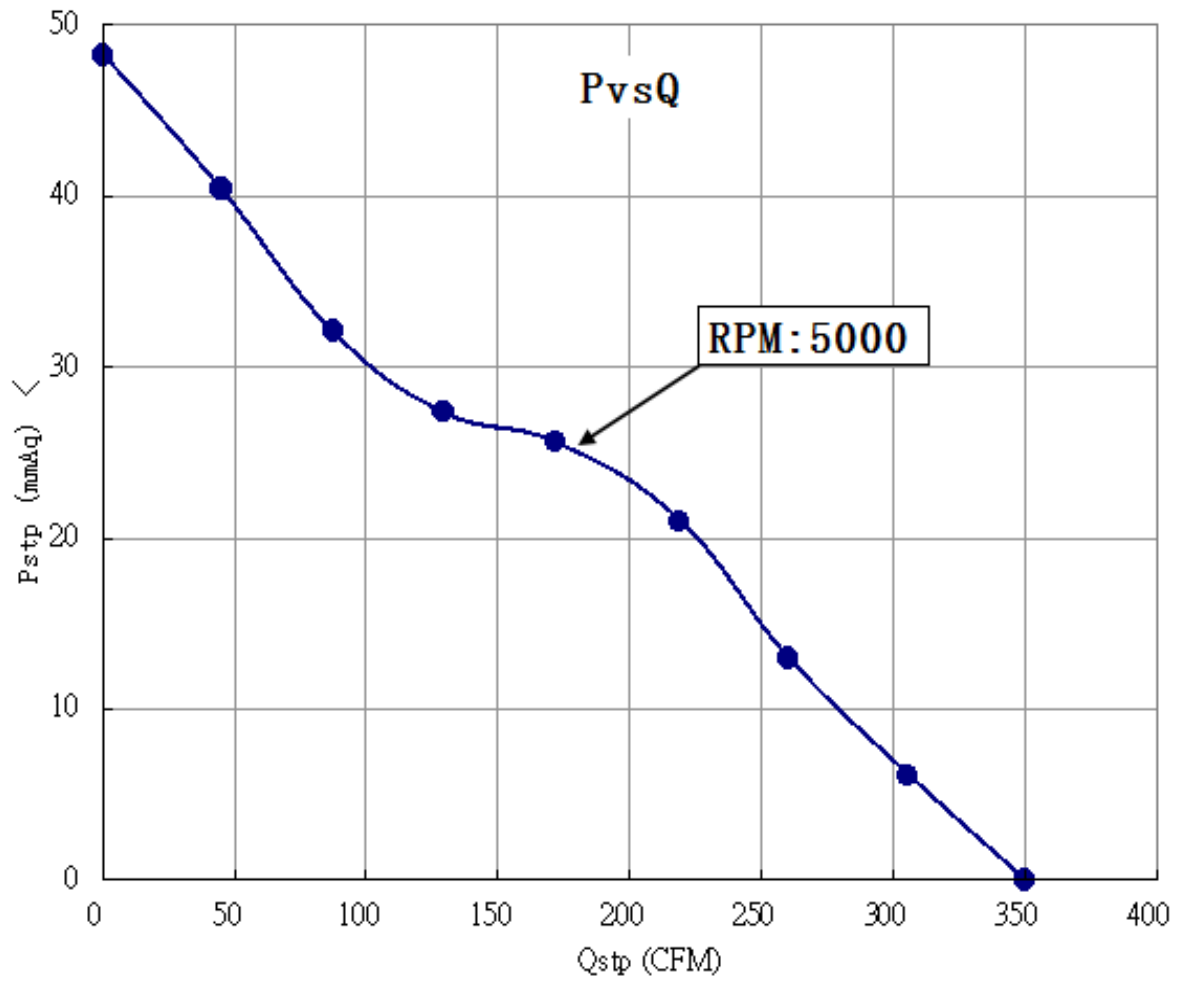
## PERFORMANCE CHARACTERISTICS(性能特性)

<b>RATED SPEED(RPM)(额定转速)</b>	<b>5000RPM± 10%</b>	<b>(At 25 °C , After 10 minutes)</b>
<b>DUTY 50% SPEED(RPM)(50%转速)</b>		<b>(At 25 °C , After 10 minutes)</b>
<b>AIR FLOW(风量)</b>	<b>350CFM</b>	
<b>STATIC PRESSURE(静压)</b>	<b>48.30mmH2O</b>	
<b>SOUND PRESSURE NOISE(1m)(噪音)</b>	<b>60.00dB(A)</b>	
<b>INSULATION RESISTANCE PLASTIC FRAME(塑料框绝缘阻抗)</b>	<b>Min. 10MΩ at 500VDC between frame and (+) terminal.</b>	
<b>DIELECTRIC STRENGTH(绝缘强度)</b>	<b>5mA max. at 1500VAC 50Hz 1 minute between frame and (+) terminal.</b>	
<b>LIFE EXPECTANCY(预期寿命)</b>	<b>50,000Hours, at 25°C, 15%~65%RH</b>	
<b>PROTECTION(保护功能)</b>	<b>Automatic Restart</b>	
<b>RoHS-Free Pb(无铅产品)</b>	<b>RoHS compliance</b>	
<b>IP Protection Grade(IP防护等级)</b>	<b>IPX4</b>	

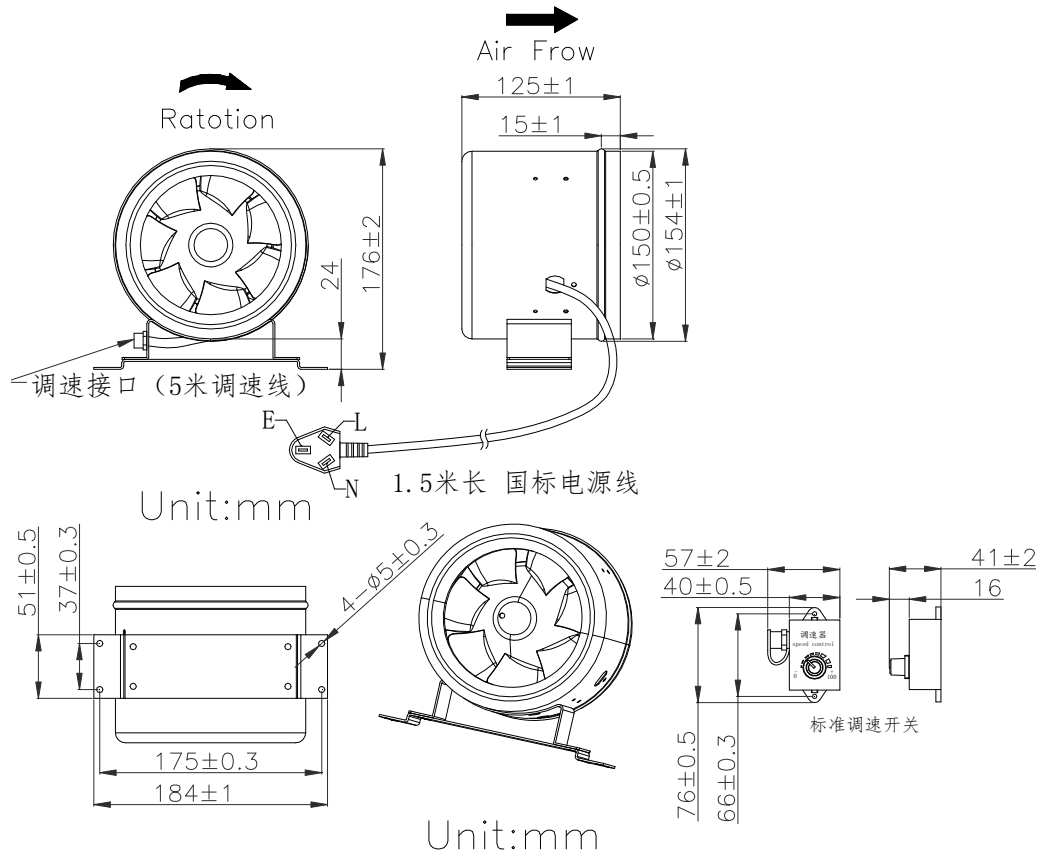
### Function功能

Speed Control Type (速度控制类型) : Potentiometer Control 电位器调速

## PERFORMANCE CURVES(性能曲线)



## DIMENSION(尺寸)



## LABEL(铭板)

**SENSDAR®**

管道风机用交流输入直流无刷电动机

产品型号: SE-A150H

额定电压: 220VAC 频率: 50Hz

额定功率: 40W 转速: 5000rpm



IPX4

出风口

深圳市盛仕达电子有限公司

