



深圳市盛仕达电子有限公司

SHENZHEN SHENGSHIDA DELECTRONICS CO., LTD.

承认规格书

Customer(客户) : SD-001

Description(产品描述) : EC混流管道风机(EC Mixed Pipe Flow Fan)

Dimension(尺寸) : 220*200mm

Model No.(机型名称) : SE-A200Z

Internal Code(内部代码) :

Revision(版次) : A00

Specification No. (规格编号) :

Customer Approval No. (客户承认号码) :

Issue Date(发行日期) : 2017年9月26日

Sales APPD. (业务审核)	Customer APPD. (客户审核)	PLEASE SIGN AND RETURN THIS PAGE TO US FOR FILING AFTER AUTHENTICATION. (请签回此页做为承认存档)
DAWN.(制表)	CHKD.(审核)	
李武良	肖体冬	李鹏鹏

深圳市盛仕达电子有限公司

深圳市坪山新区坪山镇沙坐社区新村老围14号

电话Tel: 0755-81486104 传真 Fax: 0755-81486471

网址Website:<http://www.shengshida.net>

SPECIFICATION(规格)

1.MECHANICAL CHARACTERISTICS 机械参数

MATERIAL OF HOUSING(扇框材质)	铁框, 白色 , Cold-roll steel sheets, White
MATERIAL OF FAN BLADE(扇叶材质)	塑料 , 黑色, 防火等级UL94V-0; Thermoplastic Black , Fire proofing grade UL94V-0
DIRECTION OF ROTATION(旋转方向)	Clockwise viewed from front of fan blade
WEIGHT(重量)	2.6Kg

2. ELECTRICAL CHARACTERISTICS

(电气特性)

RATED VOLTAGE(额定电压)	110V AC
INPUT CURRENT(工作电流)	1.03A± 10% MAX: 1.40 A+10%
INPUT POWER(工作功率)	73W MAX: 75W+ 10%
OPERATING VOLTAGE RANGE (操作电压范围)	100~140VAC
STARTING VOLTAGE(启动电压)	100VAC(At 25°C,100% Duty Cycle POWER ON/OFF)
OPERATING PERATURE/HUMIDITYRANGE (工作温湿度范围)	-10°C ~ +60°C / 15% ~ 93 %RH
STORAGE TEMPERATURE/HUMIDITY RANGE(存储环境温湿度范围)	-40°C ~ +70°C / 15% ~93 %RH

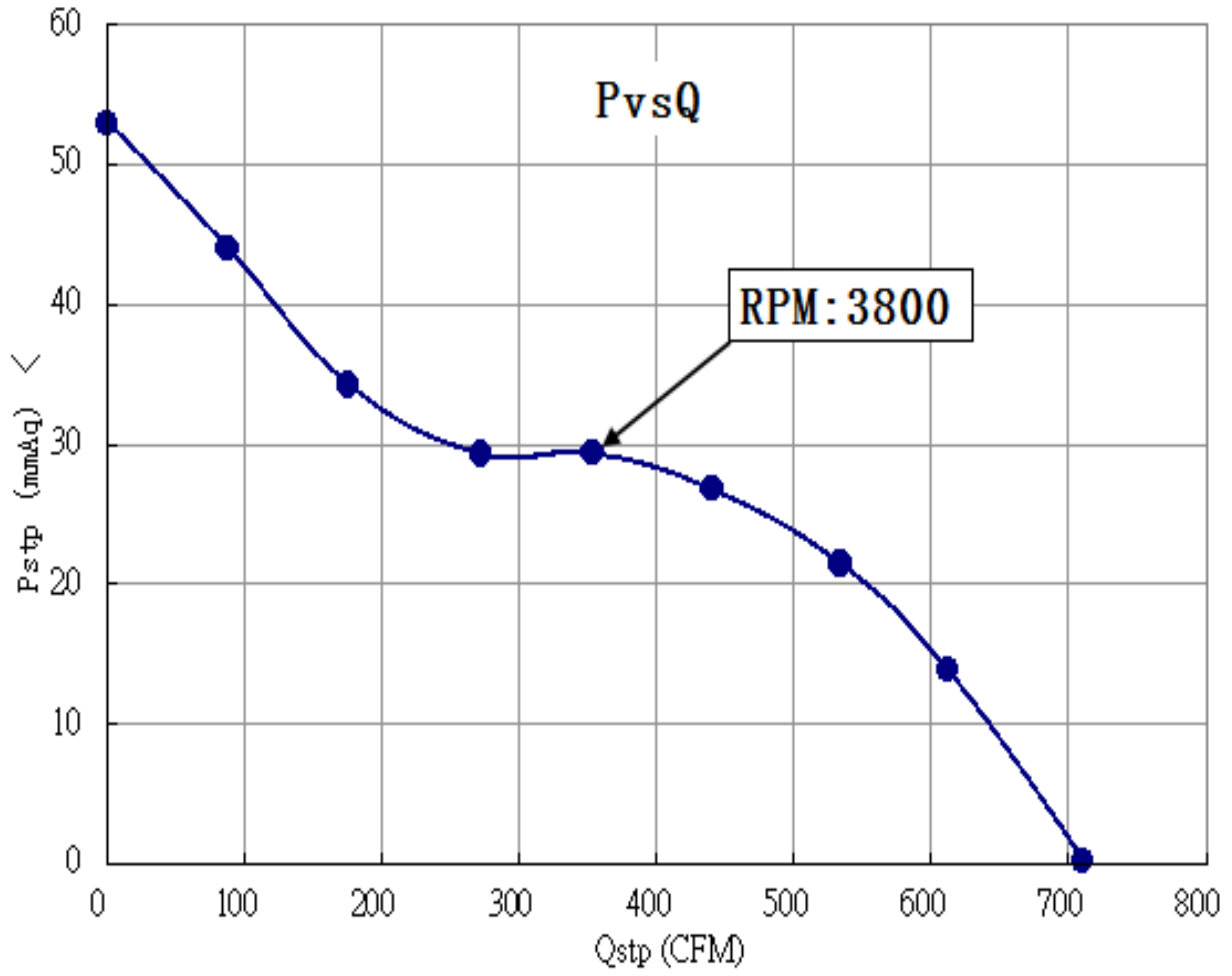
PERFORMANCE CHARACTERISTICS(性能特性)

RATED SPEED(RPM)(额定转速)	3800RPM± 10%	(At 25 °C , After 10 minutes)
DUTY 50% SPEED(RPM)(50%转速)		(At 25 °C , After 10 minutes)
AIR FLOW(风量)	710CFM	
STATIC PRESSURE(静压)	53.09mmH2O	
SOUND PRESSURE NOISE(0.5m)(噪音)	61.6dB(A)	
INSULATION RESISTANCE PLASTIC FRAME(塑料框绝缘阻抗)	Min. 10MΩ at 500VDC between frame and (+) terminal.	
DIELECTRIC STRENGTH(绝缘强度)	5mA max. at 1500VAC 50Hz 1 minute between frame and (+) terminal.	
LIFE EXPECTANCY(预期寿命)	50,000Hours, at 25°C, 15%~65%RH	
PROTECTION(保护功能)	Automatic Restart	
RoHS-Free Pb(无铅产品)	RoHS compliance	
IP Protection Grade(IP防护等级)	IPX4	

Function功能

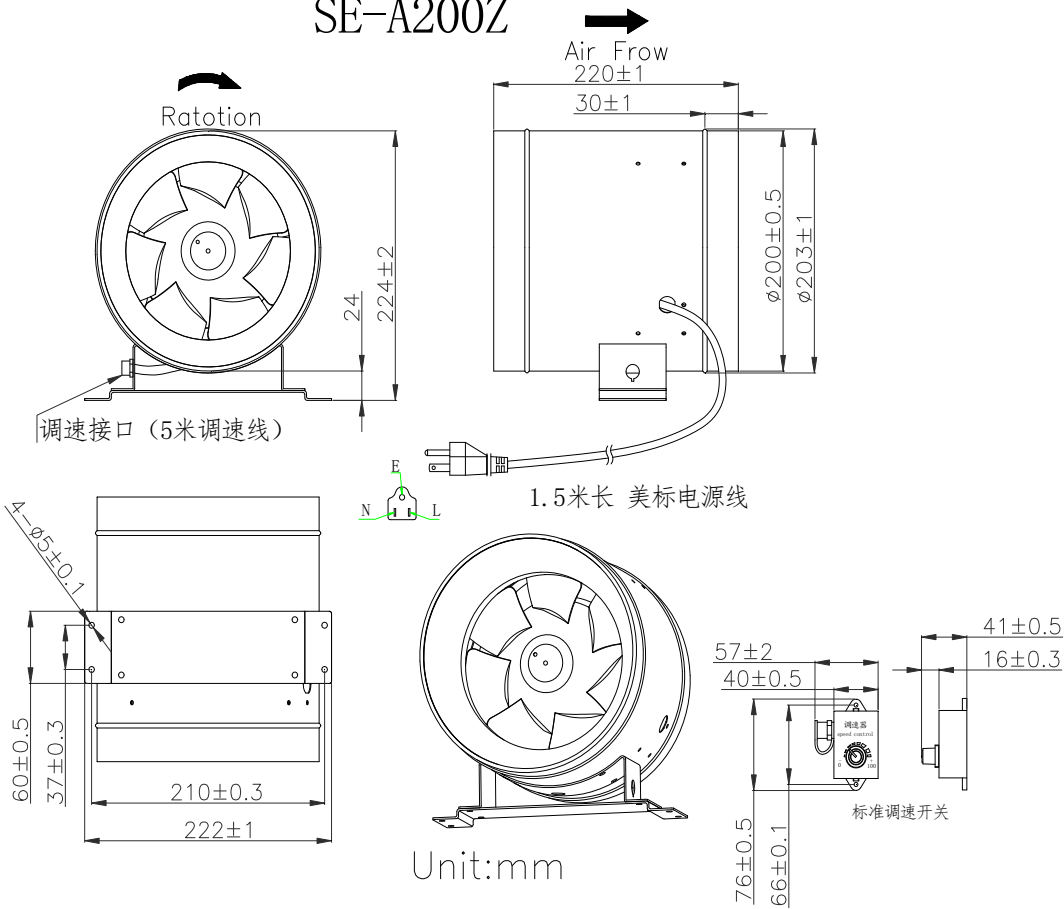
Speed Control Type (速度控制类型): Potentiometer Control 电位器调速

PERFORMANCE CURVES(性能曲线)



DIMENSION(尺寸)

SE-A200Z



LABEL(铭板)

SENSDAR

EC MixFlow Fan
Model: SE-A200Z

Rated Voltage: 110VAC

Frequency: 60Hz

Rated power: 75W

Speed: 3800rpm

CE  IPX4
Made In China

